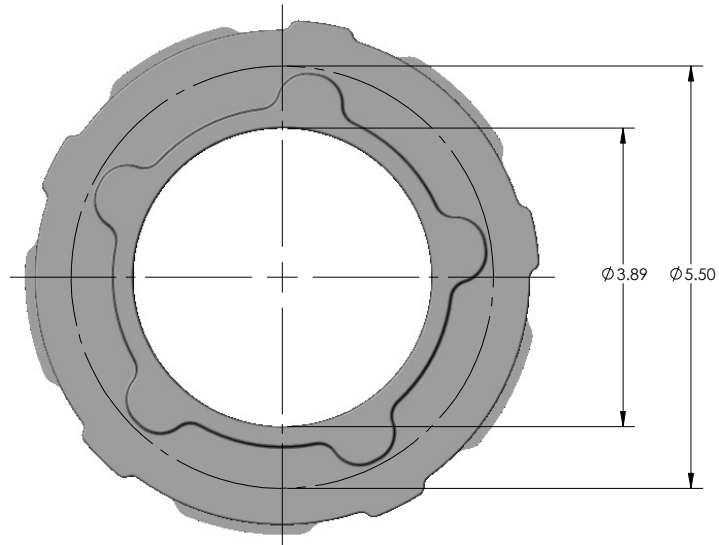
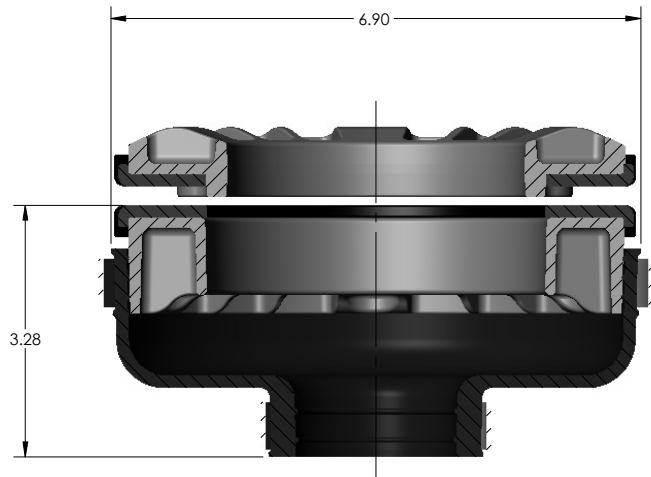


REVISIONS			
REV.	DESCRIPTION	DATE	APPROVED



**NOTES**

1. Requires a 5.5" Hole Saw
2. Reference the RF-Eco Medium Housing Parts List for all size options
3. Accepts pipe up to 3.7" O.D.



**PROPRIETARY AND CONFIDENTIAL**  
 THE INFORMATION CONTAINED IN THIS DRAWING IS THE SOLE PROPERTY OF ZJ INDUSTRIAL PRODUCTS, LLC. ANY REPRODUCTION IN PART OR AS A WHOLE WITHOUT THE WRITTEN PERMISSION OF ZJ INDUSTRIAL PRODUCTS, LLC IS PROHIBITED.

UNLESS OTHERWISE SPECIFIED:	NAME	DATE
DIMENSIONS ARE IN INCHES	DRAWN	
TOLERANCES:	CHECKED	
FRACTIONAL: ±	ENG APPR.	
ANGULAR: MACH ± BEND ±	MFG APPR.	
TWO PLACE DECIMAL ±	Q.A.	
THREE PLACE DECIMAL ±	COMMENTS:	
MATERIAL		
FINISH		
DO NOT SCALE DRAWING		



TITLE: <b>RF-Eco Medium</b>		
SIZE	DWG. NO.	REV
<b>C</b>	Medium Housing	
SCALE: 1:2.25	WEIGHT:	SHEET 1 OF 1