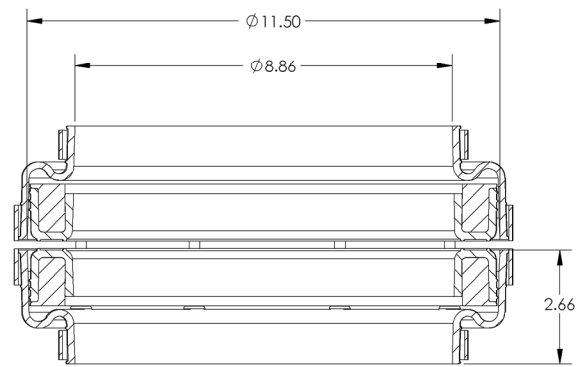
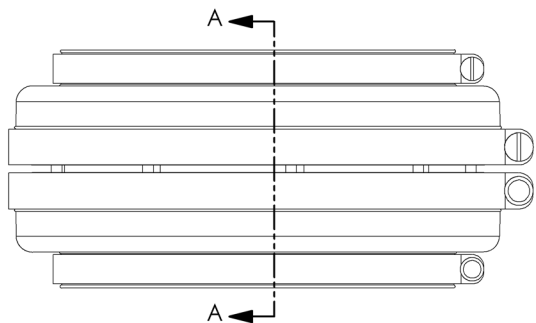
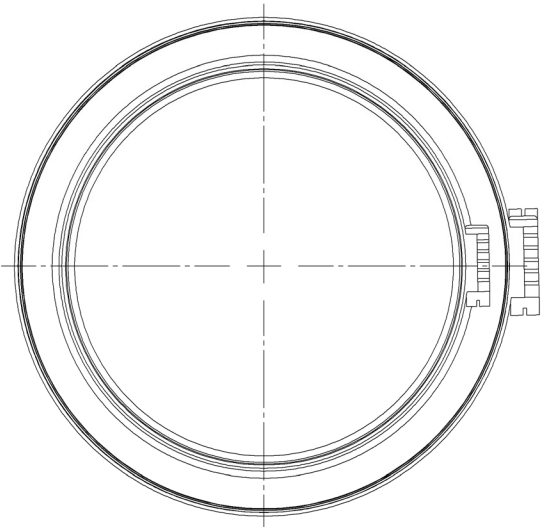



REVISIONS			
REV.	DESCRIPTION	DATE	APPROVED



SECTION A-A

UNLESS OTHERWISE SPECIFIED:		NAME	DATE	
DIMENSIONS ARE IN INCHES		DRAWN		
TOLERANCES:		CHECKED		
FRACTIONAL ±		ENG APPR.		
ANGULAR: MACH ± BEND ±		MFG APPR.		
TWO PLACE DECIMAL ±		Q.A.		TITLE: RFXLF8.8
THREE PLACE DECIMAL ±		COMMENTS:		SIZE C DWG. NO. RFXLF8.8 REV
MATERIAL				SCALE: 1:2.25 WEIGHT: SHEET 1 OF 1
FINISH				
DO NOT SCALE DRAWING				

PROPRIETARY AND CONFIDENTIAL
 THE INFORMATION CONTAINED IN THIS DRAWING IS THE SOLE PROPERTY OF ZJI INDUSTRIAL PRODUCTS, LLC. ANY REPRODUCTION IN PART OR AS A WHOLE WITHOUT THE WRITTEN PERMISSION OF ZJI INDUSTRIAL PRODUCTS, LLC IS PROHIBITED.