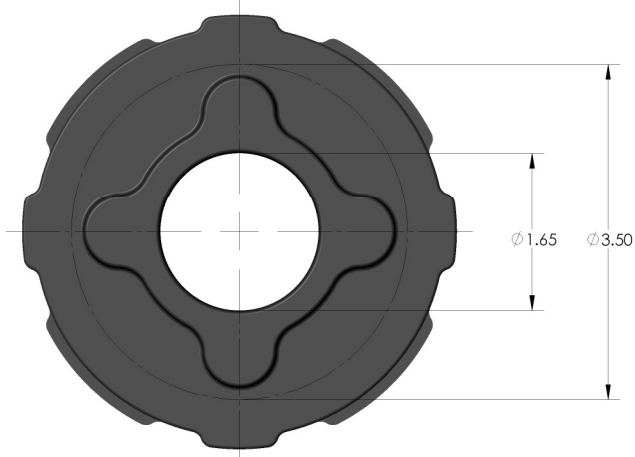
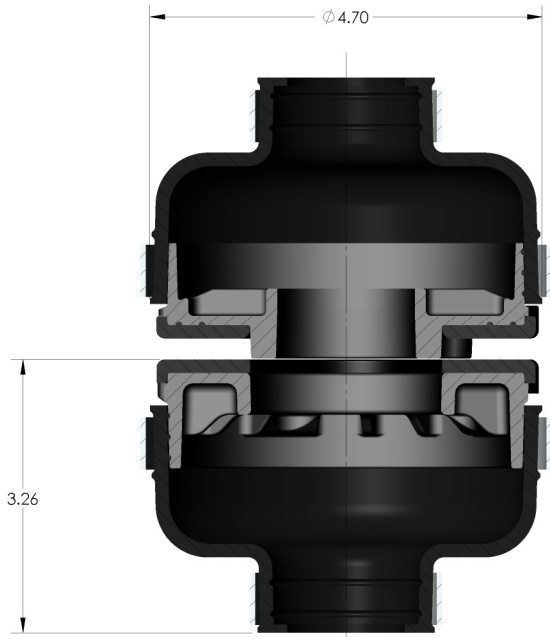
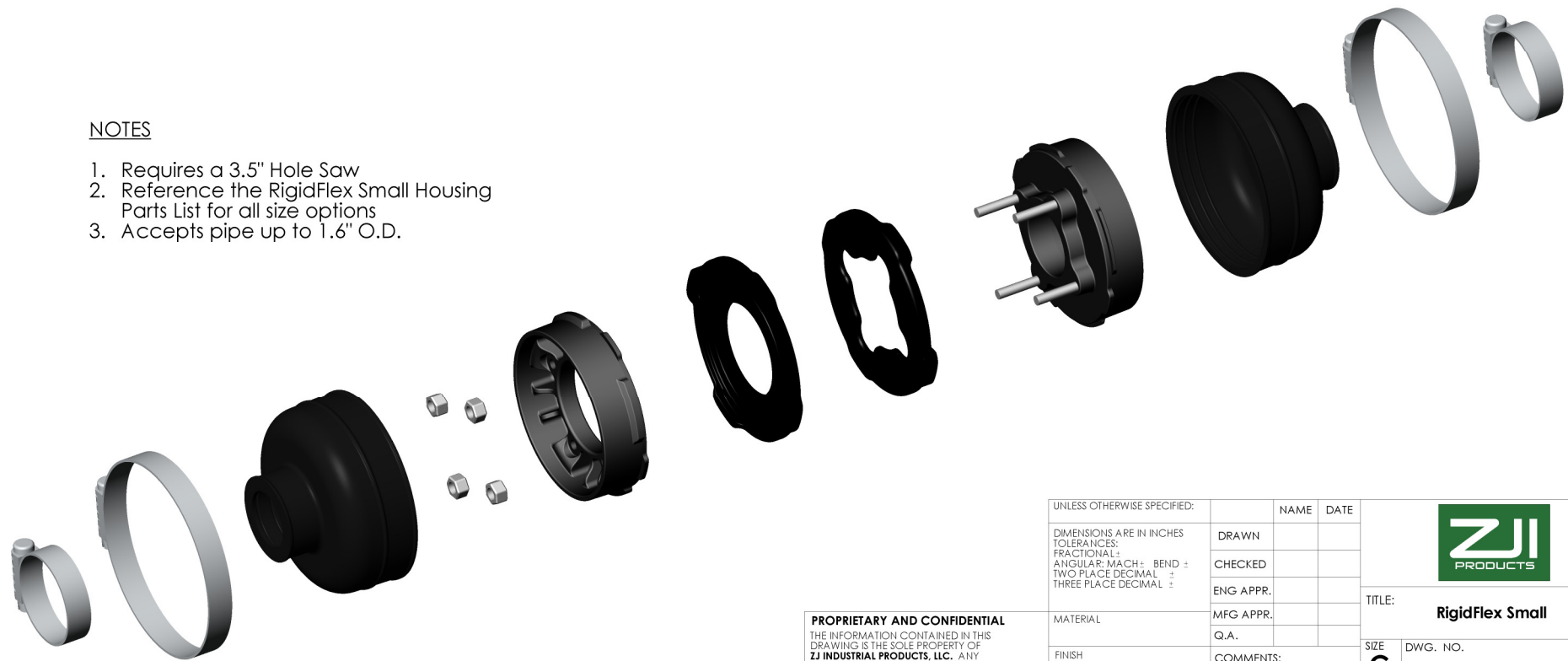


REVISIONS			
REV.	DESCRIPTION	DATE	APPROVED



NOTES

1. Requires a 3.5" Hole Saw
2. Reference the RigidFlex Small Housing Parts List for all size options
3. Accepts pipe up to 1.6" O.D.



PROPRIETARY AND CONFIDENTIAL
 THE INFORMATION CONTAINED IN THIS DRAWING IS THE SOLE PROPERTY OF ZJ INDUSTRIAL PRODUCTS, LLC. ANY REPRODUCTION IN PART OR AS A WHOLE WITHOUT THE WRITTEN PERMISSION OF ZJ INDUSTRIAL PRODUCTS, LLC IS PROHIBITED.

UNLESS OTHERWISE SPECIFIED:	NAME	DATE
DIMENSIONS ARE IN INCHES	DRAWN	
TOLERANCES:	CHECKED	
FRACTIONAL ±	ENG APPR.	
ANGULAR: MACH ±	MFG APPR.	
BEND ±	Q.A.	
TWO PLACE DECIMAL ±	COMMENTS:	
THREE PLACE DECIMAL ±		
MATERIAL		
FINISH		
DO NOT SCALE DRAWING		



TITLE: RigidFlex Small		
SIZE C	DWG. NO. Small Housing	REV
SCALE: 1:1	WEIGHT:	SHEET 1 OF 1