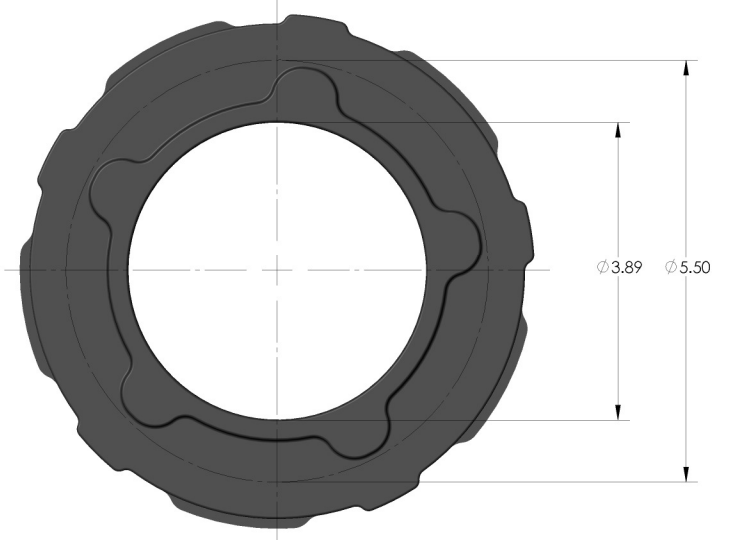
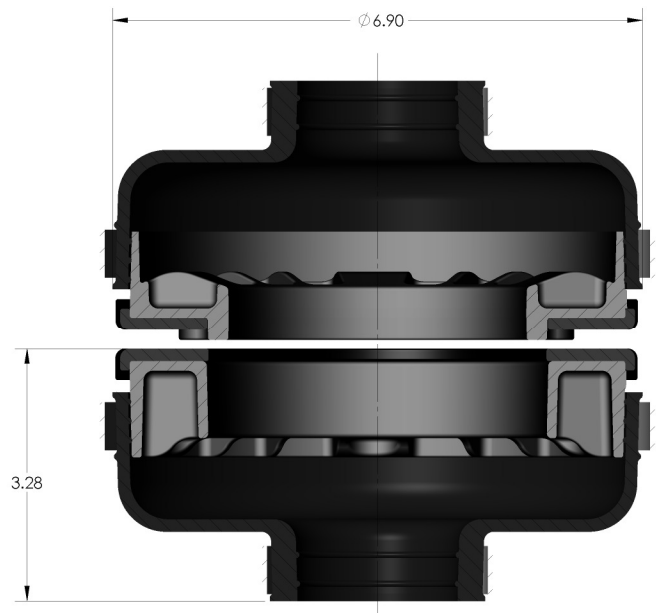


| REVISIONS |             |      |          |
|-----------|-------------|------|----------|
| REV.      | DESCRIPTION | DATE | APPROVED |



**NOTES**

1. Requires a 5.5" Hole Saw
2. Reference the RigidFlex Medium Housing Parts List for all size options
3. Accepts pipe up to 3.7" O.D.



**PROPRIETARY AND CONFIDENTIAL**  
 THE INFORMATION CONTAINED IN THIS DRAWING IS THE SOLE PROPERTY OF ZJ INDUSTRIAL PRODUCTS, LLC. ANY REPRODUCTION IN PART OR AS A WHOLE WITHOUT THE WRITTEN PERMISSION OF ZJ INDUSTRIAL PRODUCTS, LLC IS PROHIBITED.

|                             |           |      |
|-----------------------------|-----------|------|
| UNLESS OTHERWISE SPECIFIED: | NAME      | DATE |
| DIMENSIONS ARE IN INCHES    | DRAWN     |      |
| TOLERANCES:                 | CHECKED   |      |
| FRACTIONAL: ±               | ENG APPR. |      |
| ANGULAR: MACH ±             | MFG APPR. |      |
| BEND ±                      | Q.A.      |      |
| TWO PLACE DECIMAL ±         | COMMENTS: |      |
| THREE PLACE DECIMAL ±       |           |      |
| MATERIAL                    |           |      |
| FINISH                      |           |      |
| DO NOT SCALE DRAWING        |           |      |



|                                   |                            |              |
|-----------------------------------|----------------------------|--------------|
| TITLE:<br><b>RigidFlex Medium</b> |                            |              |
| SIZE<br><b>C</b>                  | DWG. NO.<br>Medium Housing | REV          |
| SCALE: 1:2.25                     | WEIGHT:                    | SHEET 1 OF 1 |