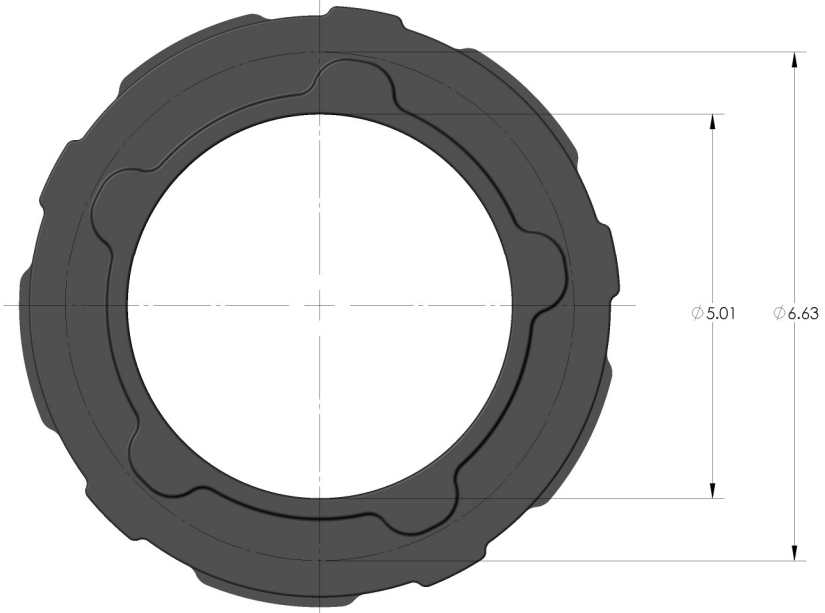
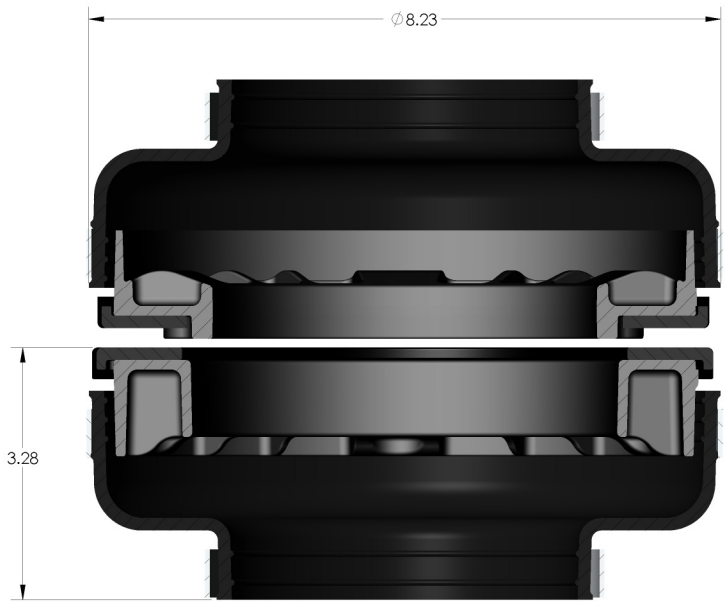
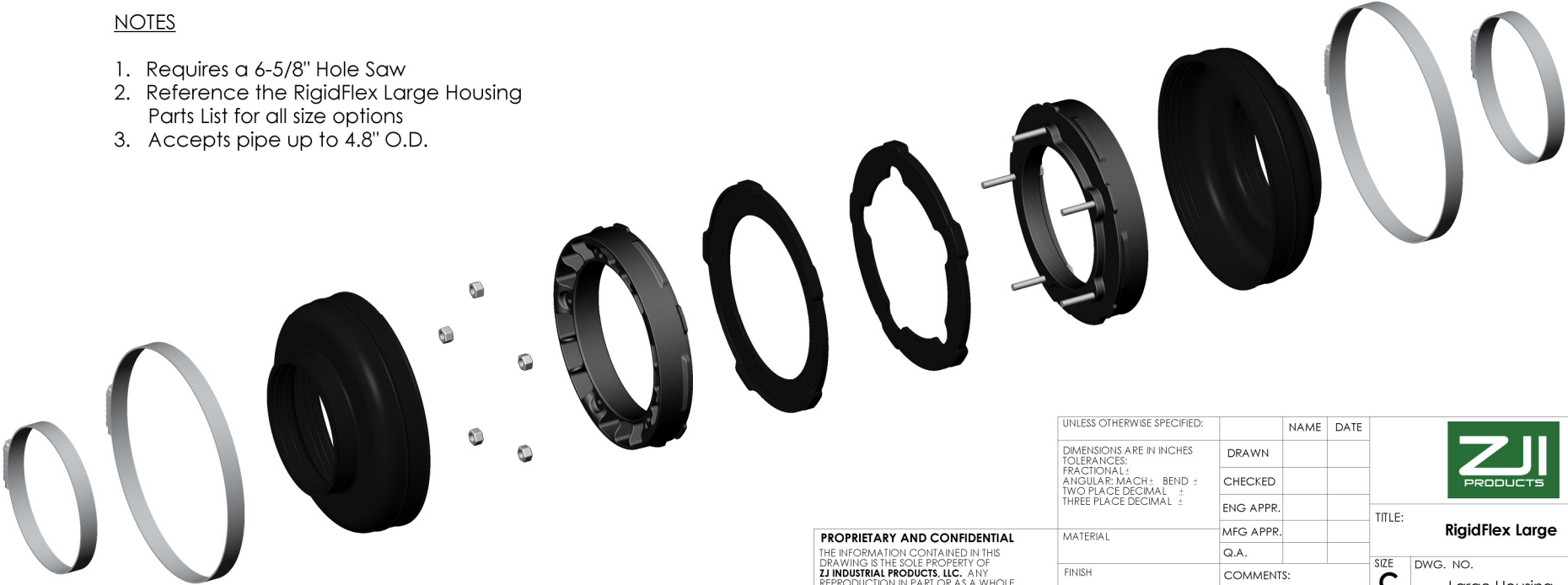


REVISIONS			
REV.	DESCRIPTION	DATE	APPROVED



NOTES

1. Requires a 6-5/8" Hole Saw
2. Reference the RigidFlex Large Housing Parts List for all size options
3. Accepts pipe up to 4.8" O.D.



UNLESS OTHERWISE SPECIFIED:	NAME	DATE
DIMENSIONS ARE IN INCHES	DRAWN	
TOLERANCES:	CHECKED	
FRACTIONAL: ±	ENG APPR.	
ANGULAR: MACH ±	MFG APPR.	
BEND ±	Q.A.	
TWO PLACE DECIMAL ±	COMMENTS:	
THREE PLACE DECIMAL ±		
MATERIAL		
FINISH		
DO NOT SCALE DRAWING		



TITLE: RigidFlex Large		
SIZE C	DWG. NO. Large Housing	REV
SCALE: 1:2.25	WEIGHT:	SHEET 1 OF 1

PROPRIETARY AND CONFIDENTIAL
 THE INFORMATION CONTAINED IN THIS DRAWING IS THE SOLE PROPERTY OF ZJI INDUSTRIAL PRODUCTS, LLC. ANY REPRODUCTION IN PART OR AS A WHOLE WITHOUT THE WRITTEN PERMISSION OF ZJI INDUSTRIAL PRODUCTS, LLC IS PROHIBITED.